

19" Server cabinets ATLAS series



General

Cabinet structure

Server cabinets ATLAS series reach the maximum strength with 90-degree vertical profiles fixed to special design monoblock welded bottom frame with steel screws. It is an ideal solution for your heavy equipment with up to 1500kg loading capacity. The cabinets could be mounted side by side. They are network and server cabinets; suitable for office, system room, data centre, and cabling system installation. Compatible for all kind of 19" brands and models network and server equipments. During installation and while conducting routine maintenance and repair of installed equipment; removable side panels, rear door and the top plate allows to multiple easy access. Optimum depth for comfort cabling, server housing and equipment in the cabinets. Side panels, front and rear doors are lockable and accessible with the same key. Front and rear doors could be detached and reversed to allow the door to open from the rear of the cabinet.

Bottom and Top Cable Entry

Base sheet model for 600-width cabinets; on the bottom the cabinet with 175x250 slide cable entry hall. The cables entering the cabinet are clamped without being damaged because of the cable entry module with rubber edge and maximum sliding distance. Protection against undesirable substances and dust that could enter under the cabinet is provided. In 800 width cabinets; additionally to the 600 width standard cabinets, two pieces 60 * 300 brushed cable entry halls are available that offers 3 different cable entry points from the base of the cabinet. If needed, the configuration can be changed.

Side Panels

The top and bottom side panel model of series cabinets allows easy removal of side panels during assembly, maintenance and repair. The cylindrical locking mechanism is used on the panels.

Levelling Feet and Castors

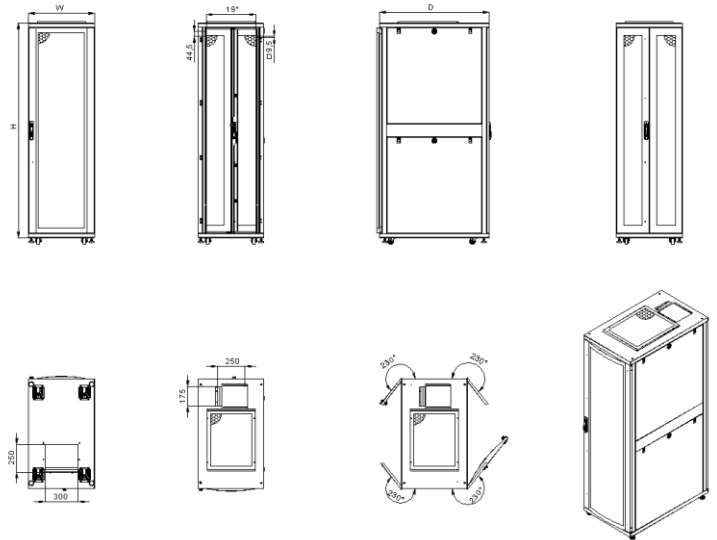
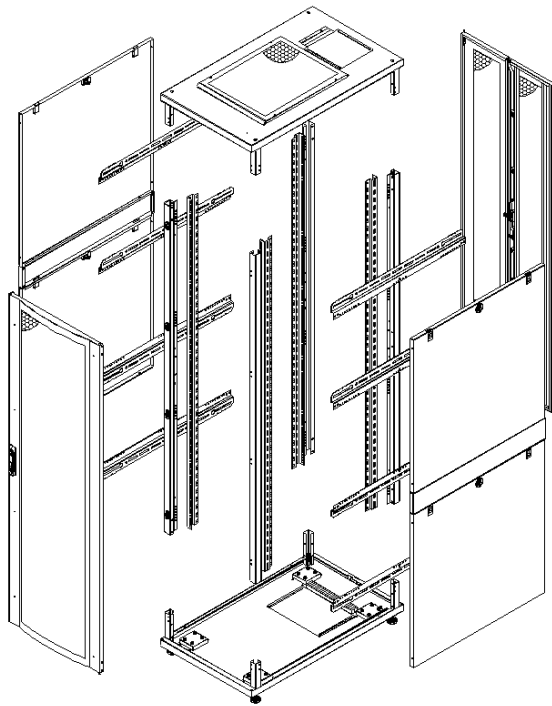
Four heavy duty levelling feet mounted to the bottom corner of the cabinet helps to adjust cabinet height and stability according to the ground condition. 4 castors without brake are as standard

Key features

- Material: 1,5mm DKP
- IP classification: IP20 as a standard, IP40 when solid metal panel applied for all access
- Doors: door options are available, front door 4 and rear door 3 point locking system, can be opened to 230 degree, can be opened to left or right direction
- Mounting rails: 19" mounting rails, adjustable in depth of the cabinet, 1,5mm DX51D+ZN275 galvanic
- Side panels: removable side panels, locking system is available
- Loading capacity: recommended up to 1500kg loading capacity
- Ground contact: caster and levelling feet are included to standard configuration, plinth is available as an option
- Available colors: Light Grey (RAL 7035) and Black (RAL 9005)
- Maximum 19" equipment mount depth 1070mm

Technical drawings

Server cabinets W=600 D=800



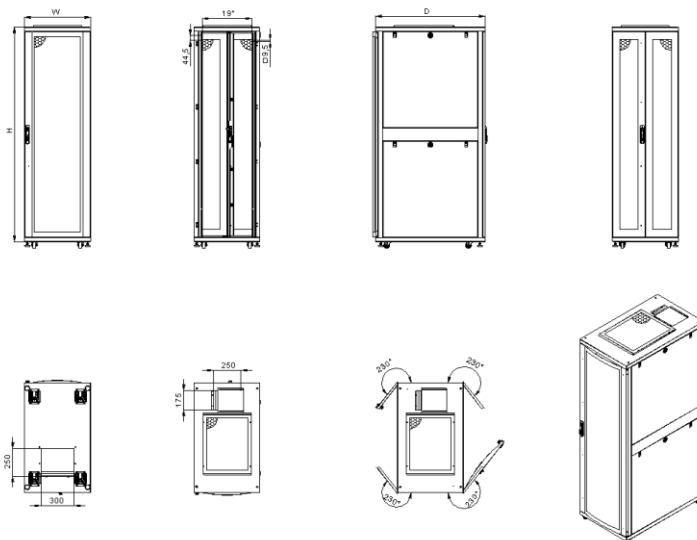
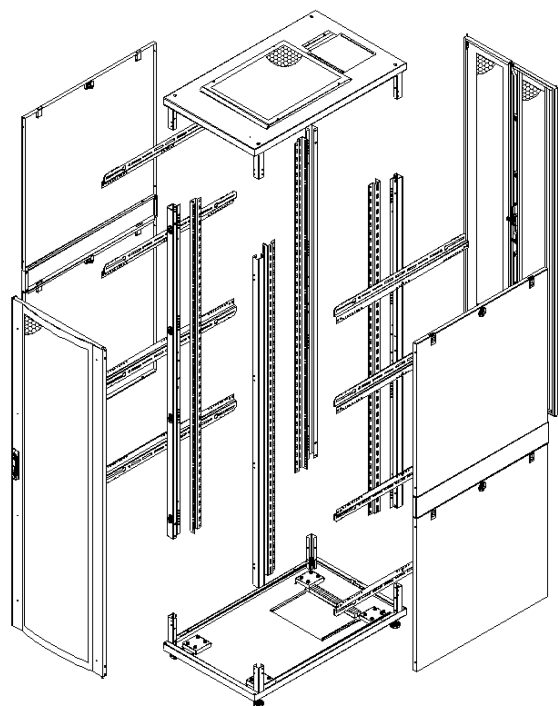
Product code informations

19" Atlas Server cabinets W=600 D=800

Product code	Description	Height in U	Width (mm)	Depth (mm)	Height (mm)	Weight (Net kg)	Weight (Gross kg)
ATN SRV-42U-60/80	42U 19" Atlas server cabinet W=600 D=800 Light Grey	42U	600	800	1970	98,7	109,7

Technical drawings

Server cabinets W=600 D=1000



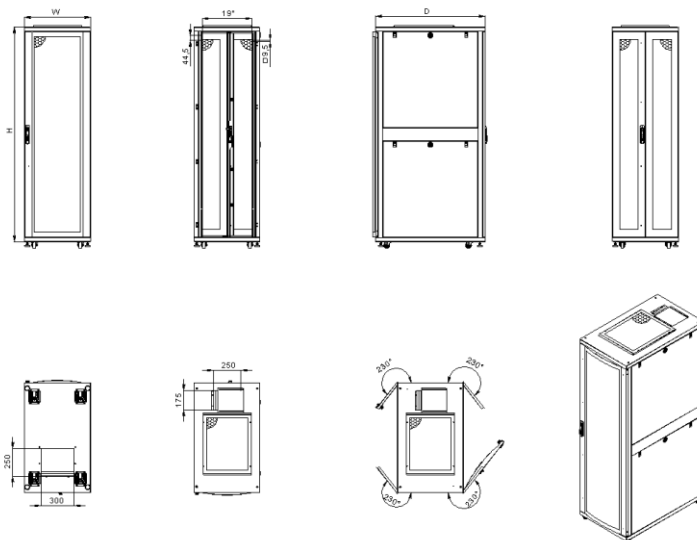
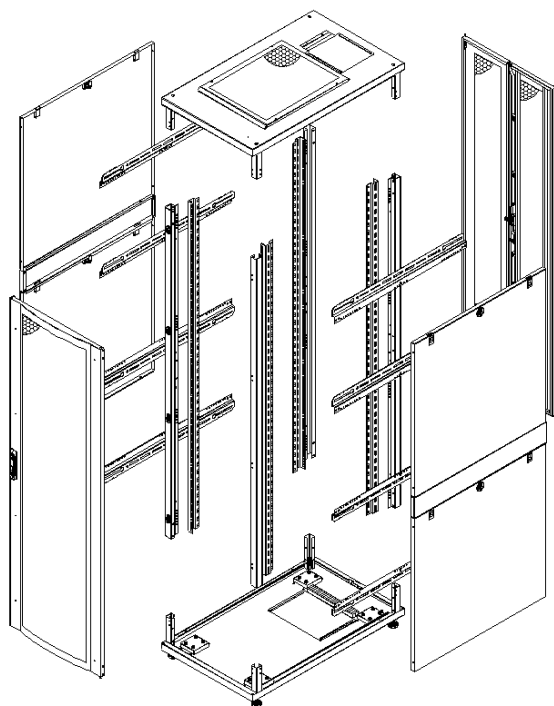
Product code informations

19" Atlas Server cabinets W=600 D=1000

Product code	Description	Height in U	Width (mm)	Depth (mm)	Height (mm)	Weight (Net kg)	Weight (Gross kg)
ATN SRV-12U-60/100	12U 19" Atlas server cabinet W=600 D=1000 Light Grey	12U	600	1000	607	62,4	64,8
ATN SRV-12U-60/100-B	12U 19" Atlas server cabinet W=600 D=1000 Black	12U	600	1000	607	62,4	64,8
ATN SRV-16U-60/100-B	16U 19" Atlas server cabinet W=600 D=1000 Black	16U	600	1000	816,5	83,2	86,4
ATN SRV-26U-60/100	26U 19" Atlas server cabinet W=600 D=1000 Light Grey	26U	600	1000	1300,8	92,0	95,5
ATN SRV-32U-60/100	32U 19" Atlas server cabinet W=600 D=1000 Light Grey	32U	600	1000	1567,5	104,3	108,7
ATN SRV-36U-60/100	36U 19" Atlas server cabinet W=600 D=1000 Light Grey	36U	600	1000	1745,3	112,0	117,0
ATN SRV-42U-60/100	42U 19" Atlas server cabinet W=600 D=1000 Light Grey	42U	600	1000	1970	122,0	127,9
ATN SRV-42U-60/100-BL	42U 19" Atlas server cabinet W=600 D=1000 Black	42U	600	1000	1970	122,0	127,9
ATN SRV-47U-60/100	47U 19" Atlas server cabinet W=600 D=1000 Light Grey	47U	600	1000	2192	127,0	133,1

Technical drawings

Server cabinets W=600 D=1100



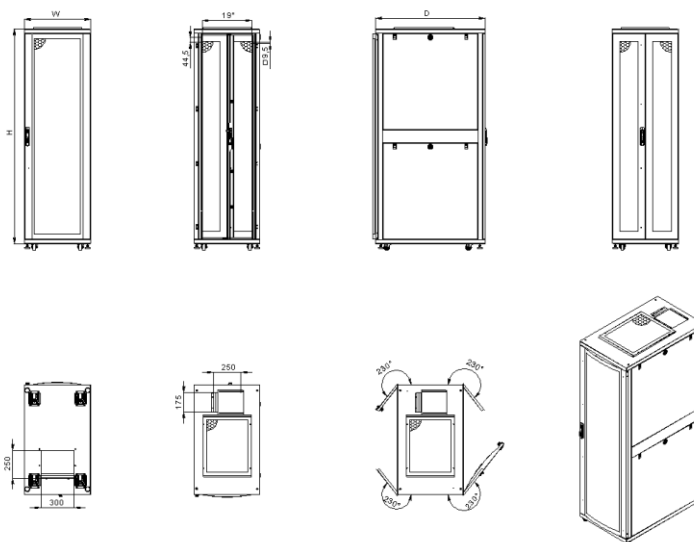
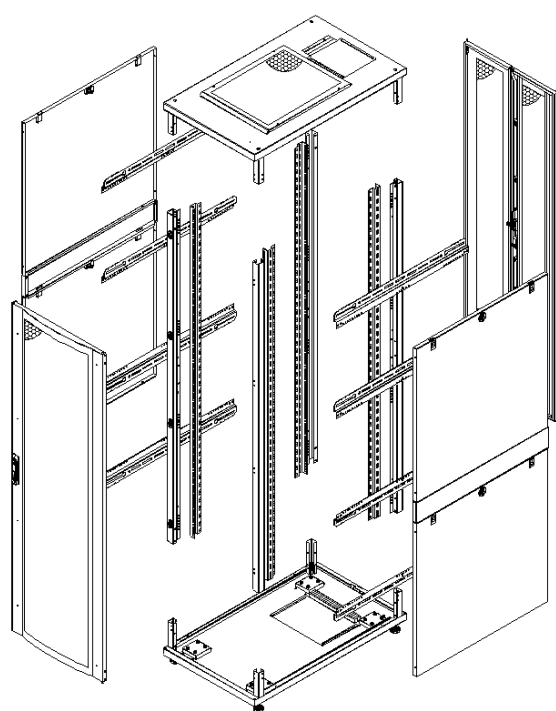
Product code informations

19" Atlas Server cabinets W=600 D=1100

Product code	Description	Height in U	Width (mm)	Depth (mm)	Height (mm)	Weight (Net kg)	Weight (Gross kg)
ATN SRV-12U-60/110-B	12U 19" Atlas server cabinet W=600 D=1100 Black	12U	600	1100	679	71,2	73,5
ATN SRV-15U-60/110-B	15U 19" Atlas server cabinet W=600 D=1100 Black	15U	600	1100	812	83,4	85,8

Technical drawings

Server cabinets W=600 D=1200



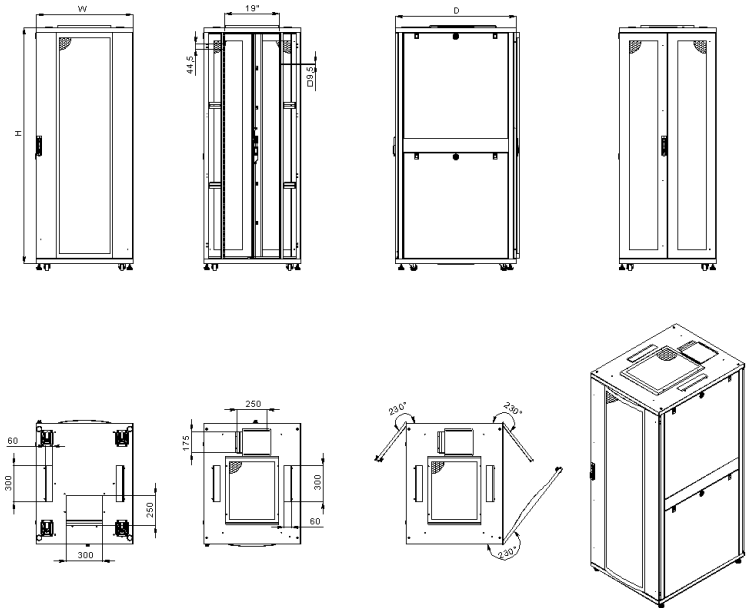
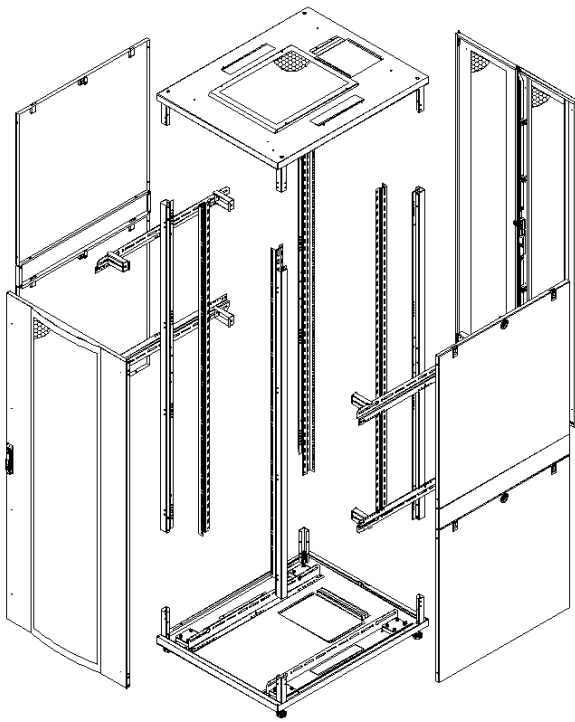
Product code informations

19" Atlas Server cabinets W=600 D=1200

Product code	Description	Height in U	Width (mm)	Depth (mm)	Height (mm)	Weight (Net kg)	Weight (Gross kg)
ATN SRV-26U-60/120-B	26U 19" Atlas server cabinet W=600 D=1200 Light Grey	26U	600	1200	1300,8	85,0	98,8
ATN SRV-32U-60/120	32U 19" Atlas server cabinet W=600 D=1200 Light Grey	32U	600	1200	1567,5	104,3	108,7
ATN SRV-32U-60/120-B	32U 19" Atlas server cabinet W=600 D=1200 Black	32U	600	1200	1567,5	104,3	108,7
ATN SRV-36U-60/120	36U 19" Atlas server cabinet W=600 D=1200 Light Grey	36U	600	1200	1745,3	112,0	117,0
ATN SRV-42U-60/120	42U 19" Atlas server cabinet W=600 D=1200 Light Grey	42U	600	1200	2192	122,0	127,9
ATN SRV-42U-60/120-B	42U 19" Atlas server cabinet W=600 D=1200 Black	42U	600	1200	2192	122,0	127,9

Technical drawings

Server cabinets W=800 D=800



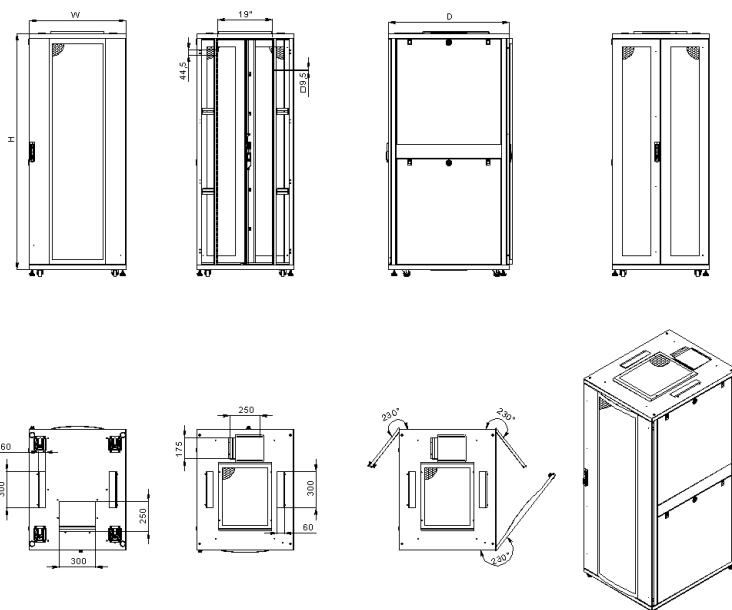
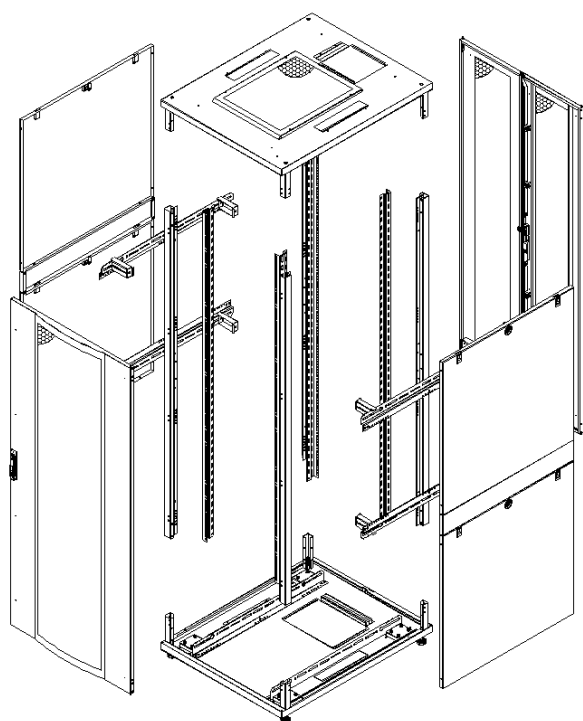
Product code informations

19" Atlas Server cabinets W=800 D=800

Product code	Description	Height in U	Width (mm)	Depth (mm)	Height (mm)	Weight (Net kg)	Weight (Gross kg)
ATN SRV-47U-80/80	42U 19" Atlas server cabinet W=800 D=800 Light Grey	47U	800	800	2234,25	119,0	136,3

Technical drawings

Server cabinets W=800 D=1000



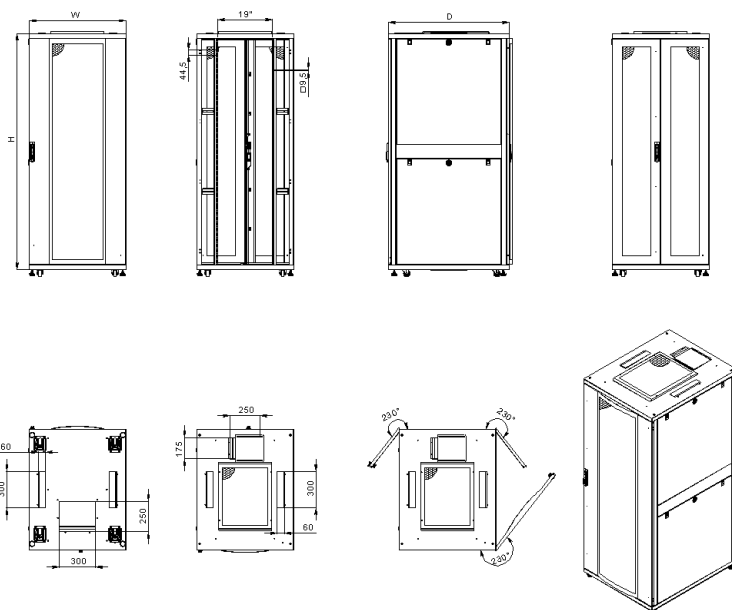
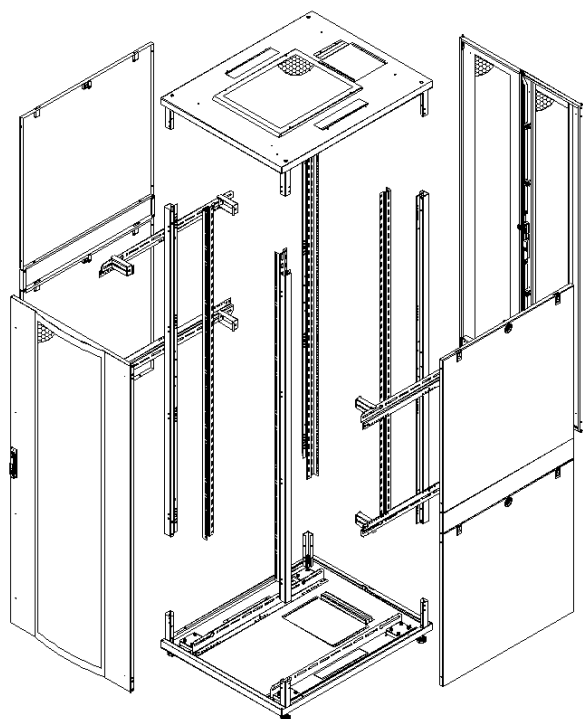
Product code informations

19" Atlas Server cabinets W=800 D=1000

Product code	Description	Height in U	Width (mm)	Depth (mm)	Height (mm)	Weight (Net kg)	Weight (Gross kg)
ATN SRV-18U-80/100-B	18U 19" Atlas server cabinet W=800 D=1000 Black	18U	800	1000	945,2	79,3	92,5
ATN SRV-22U-80/100-B	22U 19" Atlas server cabinet W=800 D=1000 Black	22U	800	1000	1123	85,0	98,8
ATN SRV-26U-80/100-B	26U 19" Atlas server cabinet W=800 D=1000 Black	26U	800	1000	1300,8	97,0	110,6
ATN SRV-32U-80/100-B	32U 19" Atlas server cabinet W=800 D=1000 Black	32U	800	1000	1567,5	102,0	121,0
ATN SRV-36U-80/100-B	36U 19" Atlas server cabinet W=800 D=1000 Black	36U	800	1000	1745,3	114,0	130,03
ATN SRV-42U-80/100-B	42U 19" Atlas server cabinet W=800 D=1000 Black	42U	800	1000	1970	133,0	151,7
ATN SRV-42U-80/100-GD-B	42U 19" Atlas server cabinet front glass door W=800 D=1000 Black	42U	800	1000	1970	133,0	151,7
ATN SRV-47U-80/100	42U 19" Atlas server cabinet W=800 D=1000 Light Grey	47U	800	1000	2234,25	142,0	161,7

Technical drawings

Server cabinets W=800 D=1200



Product code informations

19" Atlas Server cabinets W=800 D=1200

Product code	Description	Height in U	Width (mm)	Depth (mm)	Height (mm)	Weight (Net kg)	Weight (Gross kg)
ATN SRV-26U-80/120-B	26U 19" Atlas server cabinet W=800 D=1200 Black	26U	800	1200	1300,8	85,0	98,8
ATN SRV-32U-80/120-B	32U 19" Atlas server cabinet W=800 D=1200 Black	32U	800	1200	1567,5	97,0	110,6
ATN SRV-36U-80/120-B	36U 19" Atlas server cabinet W=800 D=1200 Black	36U	800	1200	1745,3	101,0	117,2
ATN SRV-42U-80/120-B	42U 19" Atlas server cabinet W=800 D=1200 Black	42U	800	1200	2192	111,0	126,3