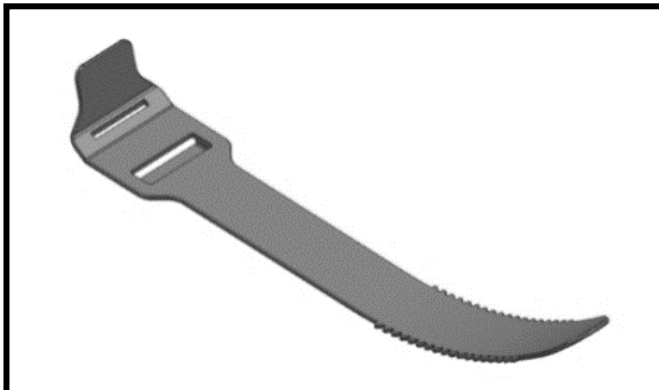


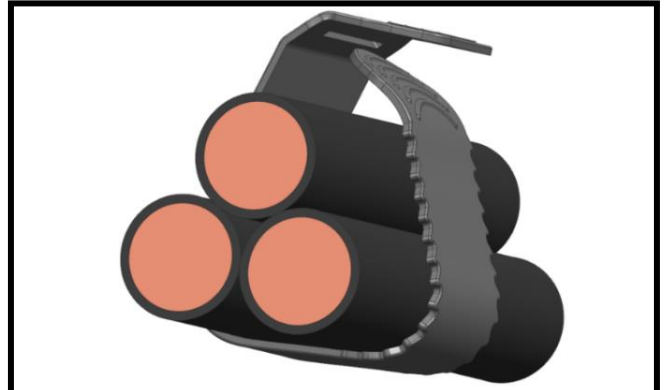
### INSTALLATION INSTRUCTIONS

Models: CSB42-150-230; CSB42-230-330; CSB42-330-430

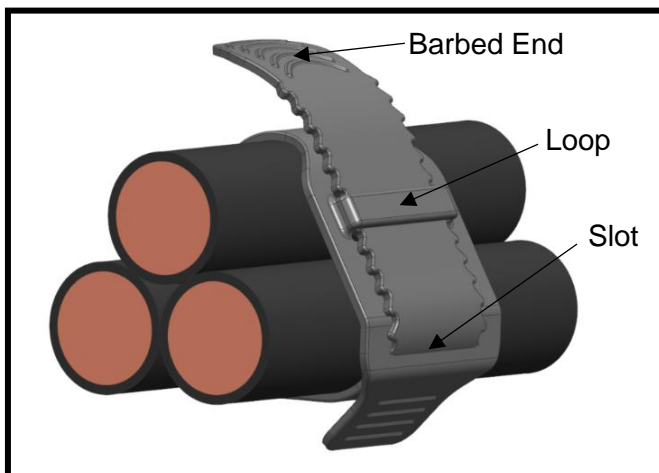
Panduit Corp. 2021



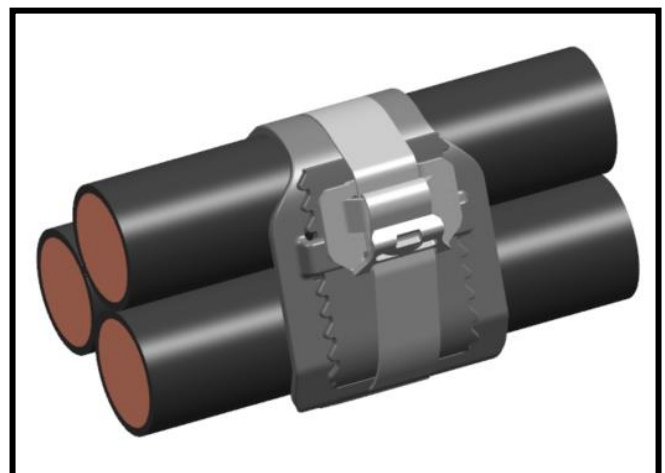
**STEP 1:** Plan Installation and select the cushion sleeve length suitable for the bundle diameter.



**STEP 2:** Place the Cushion Sleeve under the bundle.  
(trefoil configuration shown)



**STEP 3:** Insert the barbed end through the slot opening and pull until the cushion sleeve is tight around the bundle. Insert the barbed end under the loop and pull until tight.



**STEP 4:** Finalize the installation with the stainless-steel strap or tie required for the specific application.

Email:  
[techsupport@panduit.com](mailto:techsupport@panduit.com)

EU Website:  
[www.panduit.com/emea](http://www.panduit.com/emea)

EU Email:  
[emeatoolservicecenter@panduit.com](mailto:emeatoolservicecenter@panduit.com)

# PANDUIT

[www.panduit.com](http://www.panduit.com)

Panduit Corp.  
USA Technical Support  
Tel: 800-777-3300

Panduit Europe • EMEA Service Center  
Tel: +31 546 580 452 • Fax: +31 546 580 441