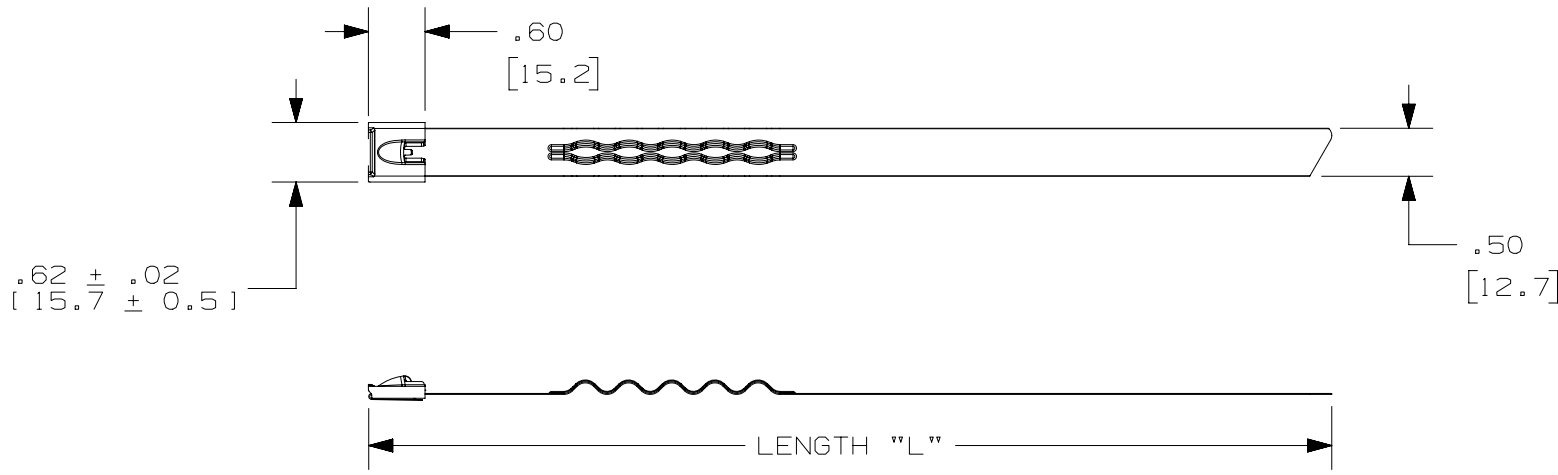


THIS COPY IS PROVIDED ON A RESTRICTED BASIS AND IS NOT TO BE USED IN ANY WAY DETRIMENTAL TO THE INTERESTS OF PANDUIT CORP.

PANDUIT PART NUMBER	PACKAGE QTY.	LENGTH "L" ±1.00" [25.4mm]
HTMLT2.7WEH-LP	50	13.0 [330]
HTMLT4WEH-LP	50	17.1 [434]
HTMLT6WEH-LP	50	23.4 [594]
HTMLT8WEH-LP	50	29.7 [754]
HTMLT10WEH-LP	50	35.9 [912]
HTMLT12WEH-Q	25	43.0 [1092]
HTMLT16WEH-Q	25	55.8 [1417]
HTMLT26WEH-Q	25	87.0 [2210]

NOTES:

1. MATERIAL: 304 STAINLESS STEEL
2. BRACKETS [] DENOTES DIMENSIONS IN MILLIMETERS
3. INSTALLATION TOOLS: RT2HT, ST2MT & ST4MT



REV	DATE	BY	CHK	APR	DESCRIPTION	ECN
02	09-01-16	JBN	SKB	RGRO	ADDED TOLERANCES TO TITLE BLOCK ADDED INSTALLATION TOOLS: RT2HT & ST4MT REMOVED INSTALLATION TOOLS: RT2HT, PBTMT REMOVED BUNDLE DIAMETER FROM CHART	13L040BF-DC
--	-----	---	---	----		-----
01	10-08-15	JBN	SKB	RGRO	ADDED PART NUMBERS: HTMLT2.7WEH-LP; HTMLT4WEH-LP; HTMLT6WEH-LP; HTMLT8WEH-LP; HTMLT10WEH-LP; HTMLT26WEH-Q	13L040BF-DC
00	06-05-15	SKB	SKB	RGRO	DRAWING RELEASED	13L040BF-DC

TITLE HEAT TRACE WAVE TY (HTMLT**WEH) CUSTOMER DRAWING			
ITEM REVISION NAME 13L040BF/02		PANDUIT	
DATASET FILE NAME 13L040BF_DC/02A			
UNLESS OTHERWISE SPECIFIED, DIMENSIONAL TOLERANCES ARE: IN [mm]			
.x ± ±.03 [.8]		.xxx ± ±.010 [.25]	
.xx ± ±.02 [.5]		ANGLES ± ±2°	
		THIRD ANGLE PROJECTION	
DRAWN BY SKB	DATE 06-05-15	CHK SKB	SCALE 1:2
DRAWING NUMBER: 13L040BF-DC			SHT 1 OF 1
			SIZE A